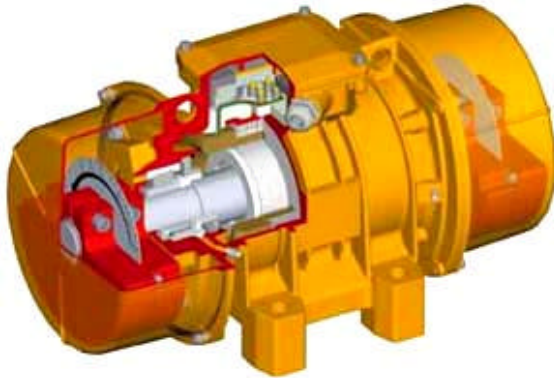


ELECTRIC VIBRATORS FOR INDUSTRIAL USE - MVSI S90

4 POLES - 1500/1800 RPM



DIMENSIONAL SPECIFICATIONS (mm)

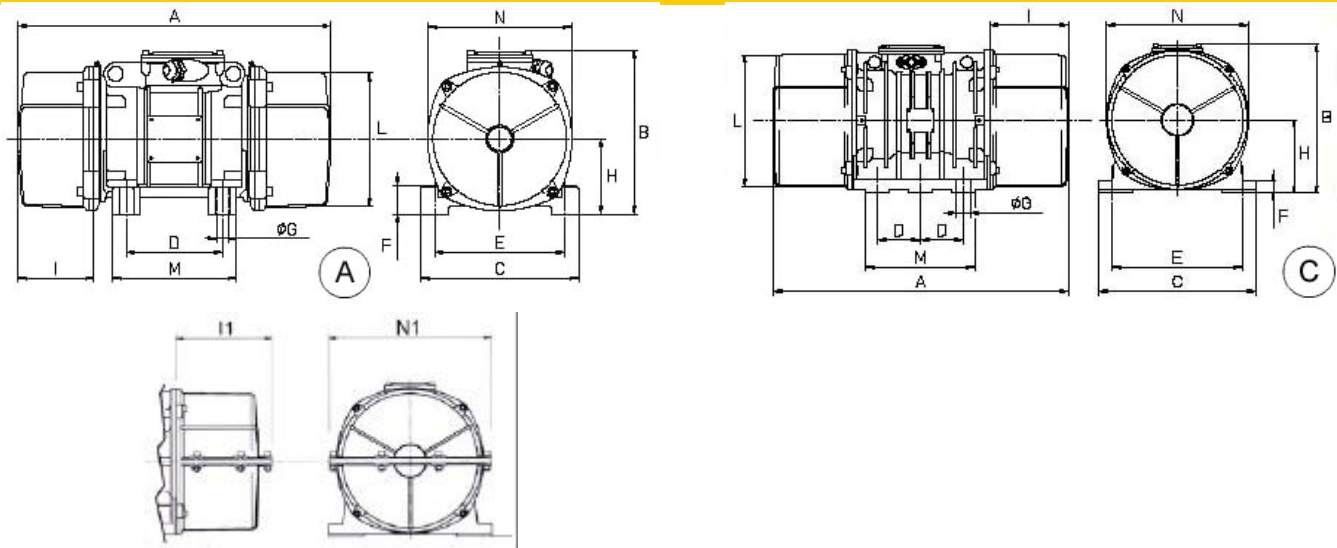
TYPE	SIZE	CSA	Static moment		Centrifugal force				Weight kg		Max. input power W		Max. current A		Ia/In	
			Kg 50Hz	mm 60Hz	Kg 50Hz	60Hz	kN 50Hz	60Hz	50Hz	60Hz	50Hz	60Hz	50Hz	60Hz	380V	460V
MVSI 15/35-S90	00	°	10.3	10.3	27	38	0.265	0.373	4.4	4.4	85	95	0.21	0.2	1.78	1.95
MVSI 15/80-S90	01	°	29.8	21.2	76	78	0.746	0.765	5.3	5.1	85	95	0.21	0.2	1.78	1.95
MVSI 15/200-S90	10	°	84.2	58.8	213	214	2.09	2.1	10.7	9.9	170	170	0.41	0.4	2.34	2.75
MVSI 15/400-S90	20	°	163	113	412	411	4.04	4.03	16.9	15.6	300	350	0.6	0.6	3.33	3.5
MVSI 15/550-S90	20	°	219	163	552	592	5.42	5.81	18.9	17.5	300	350	0.6	0.6	3.33	3.5
MVSI 15/700-S90	30	°	286	209	720	760	7.06	7.46	23.5	22.2	525	665	0.92	0.98	3.48	3.43
MVSI 15/1100-S90	35	°	415	271	1045	982	10.3	9.63	35	30.5	550	680	0.95	0.95	4.45	4.89
MVSI 15/1410-S90	40	°	561	400	1413	1449	13.9	14.2	53	50	900	1050	1.45	1.5	4.1	4.2
MVSI 15/1710-S90	50	°	715	485	1798	1757	17.6	17.2	58.5	54.5	1100	1200	2	1.9	4.29	4.89
MVSI 15/2000-S90	50	°	817	561	2054	2033	20.1	19.9	70	68	1350	1450	2.5	2.3	4.3	4.9
MVSI 15/2410-S90	60	°	962	674	2420	2444	23.7	24	82	76	1600	1700	3.2	3	6.09	7.23
MVSI 15/3000-S90	60	°	1235	858	3106	3107	30.5	30.5	92	89	1900	2000	3.8	3.5	6.5	7.5
MVSI 15/3810-S90	70	°	1526	1034	3840	3744	37.7	36.7	115	110	2200	2500	3.9	3.9	7.11	6.92
MVSI 15/4300-S90	70	-	1720	1173	4326	4250	42.4	41.7	122	117	2500	2800	4.8	4.65	5.9	7.1
MVSI 15/5010-S90	80	°	1990	1364	5007	4941	49.1	48.5	161	153	3600	3400	6	5	7.02	8
MVSI 15/7000-S90	90	°	2598	1822	6536	6600	64.1	64.7	208	195	6000	6000	10.5	9	6.48	7.67
MVSI 15/9000-S90	95	-	3260	2260	8199	8183	80.4	80.3	225	210	7000	8000	11.6	11.5	5.43	5.57
MVSI 15/9500-S90	97	-	3346	2462	8416	8916	82.6	87.5	317	303	7500	8500	12.2	12	6.56	6.67
MVSI 15/11500-S90	100	-	4544	3166	11430	11467	112	112	433	411	10000	10500	17.5	15.5	7.03	8
MVSI 15/14500-S90	100	-	5614	4126	14120	14940	138	147	458	424	11000	12000	20	20	8	8

SINGLE-PHASED VERSIONS

TYPE	SIZE	CSA	Static moment kgmm		Centrifugal force kg		Centrifugal force N		Weight kg		Max input power W		Max current A		Ia/In	
			50Hz	60Hz	50Hz	60Hz	50Hz	60Hz	50Hz	60Hz	50Hz	60Hz	220V	115V	50Hz	60Hz
MVSI 15/35-S90	00	-	-	10.3	-	38	-	0.373	-	4.4	-	100	-	1	-	1.3
MVSI 15/80S90	01	°	-	21.2	-	78	-	0.36	-	5.1	-	100	-	1	-	1.3
MVSI 15/200S90	10	-	84.2	58.8	213	214	2.09	2.1	10.7	9.9	10.7	230	210	2	1.50	1.85
MVSI 15/400S90	20	-	-	113	-	412	-	4.04	-	15.6	-	320	-	2.8	-	2.21
MVSI 15/550-S90	20	-	-	163	-	592	-	5.81	-	17.5	-	320	-	2.8	-	2.21

ELECTRIC VIBRATORS FOR INDUSTRIAL USE - MVSI S90

4 POLES - 1500/1800 RPM



Type	Figure	A	B	C	D	E	ØG	N°	F	H	I	L	M	N	Versions with 1 or 2 split covers		Cable entry thread
															I1	N1	
MVSI 15/35-S90	A	210	142	125	62-74	106	9	4	15	55	40	90	102	102	-	-	PG13.5
MVSI 15/80-S90	A	220	151	125	62-74	106	9	4	24	64	45	112	102	119	-	-	PG13.5
MVSI 15/200-S90	A	298	181	152	90	125	13	4	29.5	73	73.5	127	117	135	-	-	PG13.5
MVSI 15/400-S90	A	345	198	167	105	140	13	4	28.5	80	90	146	137	153	-	-	PG16
MVSI 15/550-S90	A	381	198	167	105	140	13	4	28.5	80	107	146	137	153	-	-	PG16
MVSI 15/700-S90	A	381	210	205	120	170	17	4	45	91.5	88	168	160	178	-	-	PG16
MVSI 15/1100-S90	A	435	233	205	120	170	17	4	54	104.5	117.5	187	162	203	-	-	PG16
MVSI 15/1410-S90	A	448	246	230	140	190	17	4	54	116	108	210	180	225	-	-	PG16
MVSI 15/1710-S90	A	500	246	230	140	190	17	4	54	116	134	210	180	225	-	-	PG16
MVSI 15/2000-S90	A	568	246	230	140	190	17	4	54	116	168	210	180	225	-	-	PG16
MVSI 15/2410-S90	A	537	273	278	155	225	22	4	72	133	137	238	205	253	-	-	PG16
MVSI 15/3000-S90	A	617	273	278	155	225	22	4	72	133	177	238	205	253	-	-	PG16
MVSI 15/3810-S90	A	584	333	310	155	255	23.5	4	77	157	137	280	215	295	-	-	PG21
MVSI 15/4300-S90	A	666	333	310	155	255	23.5	4	77	157	178	280	215	295	-	-	PG21
MVSI 15/5010-S90	A	630	360	340	180	280	26	4	80	165	150	305	240	320	176	356	PG21
MVSI 15/7000-S90	A	676	370	390	200	320	28	4	90	180	158	330	270	350	-	-	PG21
MVSI 15/9000-S90	A	629	395	392	200	320	28	4	100	192	135	355	270	375	-	-	PG21
MVSI 15/9500-S90	C	862	436	460	125	380	38	6	35	215	230	387	320	414	246	450	1 inch GAS°
MVSI 15/11500-S90	C	990	454	530	140	440	45	6	38	230	240	423	370	448	-	-	1 inch GAS°
MVSI 15/14500-S90	C	990	454	530	140	440	45	6	38	230	240	423	370	448	-	-	1 inch GAS°